

SeaTelecom (STC) is the solution to the demand for affordable onboard communication for ships. Thanks to the simple, yet well-considered concept of the systems, well-functioning communication equipment can be delivered to seagoing vessels at a very competitive price level.

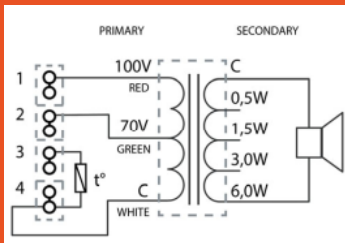
- Excellent price-quality ratio (both telephone and PA)
- STC meets the onboard demands
- Peripheral equipment ready for delivery within 24h

70/100V combined transformer Primary connections

White: Green	70V
White: Red	100V

Secondary nominal tapings

C : 6W	6,0 W
C : 3W	3,0 W
C : 1,5W	1,5 W
C : 0,5W	0,5 W



# STC-1105

PART OF STC-PUBLIC ADDRESS



**Description:**

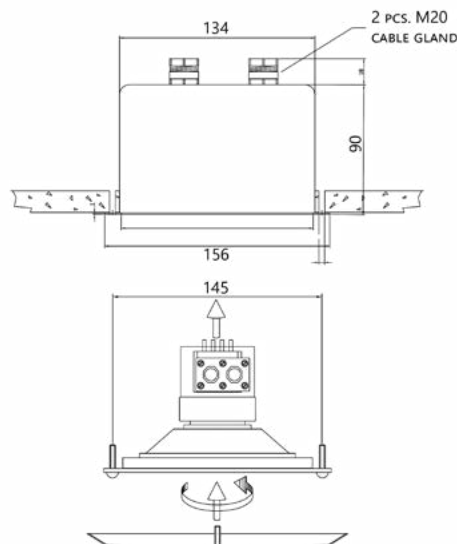
- Flush mounting ceiling speaker
- Mounting with 2 screws, bracket
- Aluminium speaker cover RAL9010
- B15 steel fire dome
- Cable glands 2 x M20
- Thermal fuse
- Ceramic connection terminals
- MED type approval MEDB00008NU (BS-560T-MED)

**Technical data:**

• Standard version	50/100V transformer
• Rated power	6W
• SPL 1W/1m	90dB
• SPL rated power	97dB
• Dispersion (-6dB) 1kHz/4kHz	170° / 60°
• Ambient temp.	-20 to 90°C
• Frequency range	130-15000Hz
• Weight	0,9 kg

**Dimensions**

Ceiling cut-out: 136 mm  
 Installation depth: 90 mm



**MADE FOR MARINE ENVIRONMENT**