

SeaTelecom (STC) is the solution to the demand for affordable onboard communication for ships. Thanks to the simple, yet well-considered concept of the systems, well-functioning communication equipment can be delivered to seagoing vessels at a very competitive price level.

- Excellent price-quality ratio (both telephone and PA)
- STC meets the onboard demands
- Peripheral equipment ready for delivery within 24h

70/100V combined transformer Primary connections

White: Green 70V

White: Red 100V

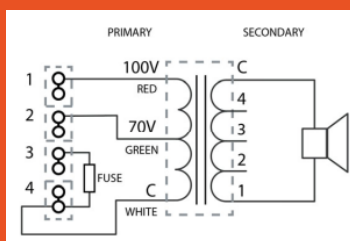
Secondary nominal tapings

C : 1 15,0 W

C : 2 7,5 W

C : 3 4,0 W

C : 4 2,0 W



STC-1005

PART OF STC-PUBLIC ADDRESS

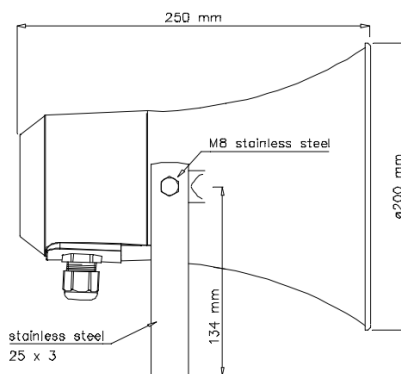


Description:

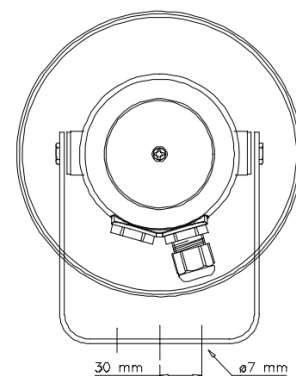
- Horn loudspeaker
- Bracket and all outside nuts and bolts in stainless steel
- 1 cable gland M20 cable diameter 6-12mm
- ASA / RAL7035
- Incl. thermal fuse and ceramic terminals
- IP-rating IP67
- MED type approval MEDB00008NW (HP-15T-MED)

Technical data:

- | | |
|-------------------------------|---------------------|
| • Standard version | 70/100V transformer |
| • Rated power | 15W |
| • SPL 1W/1M | 108dB |
| • SPL rated power | 118dB |
| • Dispersion (-6dB) 1kHz/4kHz | 130 / 35 |
| • Ambient temp. | -50 to 90 C |
| • Frequency range | 330 - 8000Hz |
| • Weight | 1,7 kg |



1 x M20 cable gland
1 x M20 blinding plug



MADE FOR MARINE ENVIRONMENT